

SJ019165-E

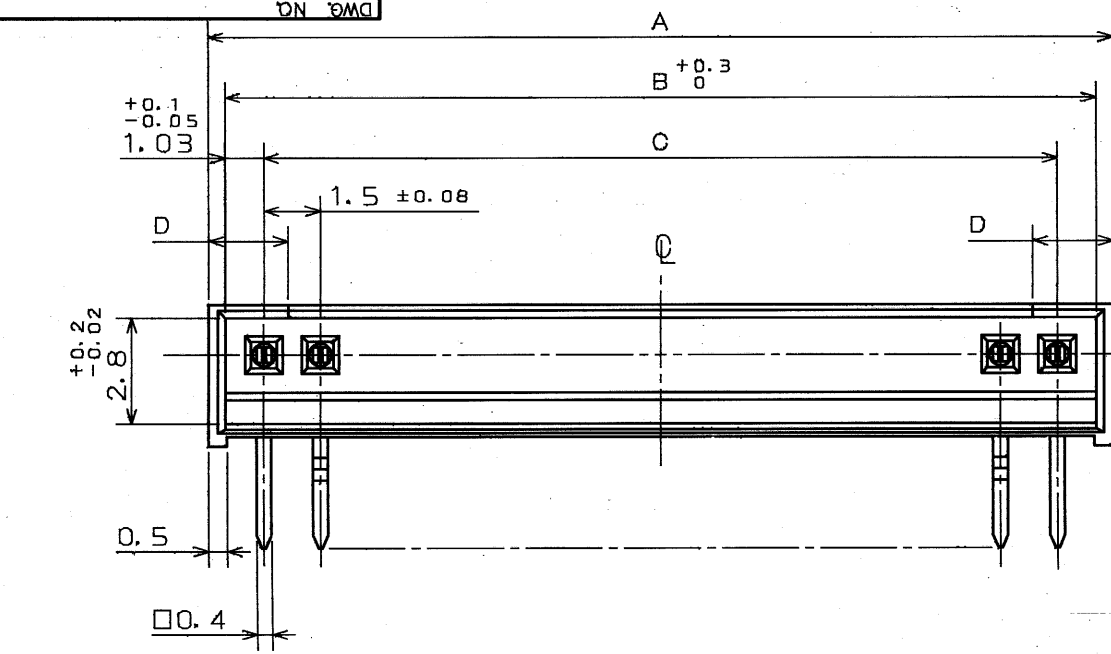


FIGURE 1.
POSITIONS OF FORMED CONTACT TAILS

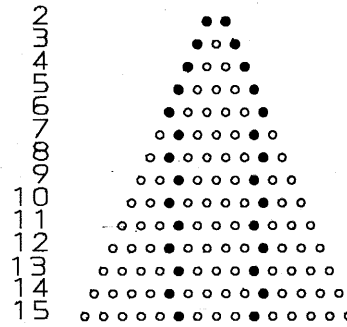
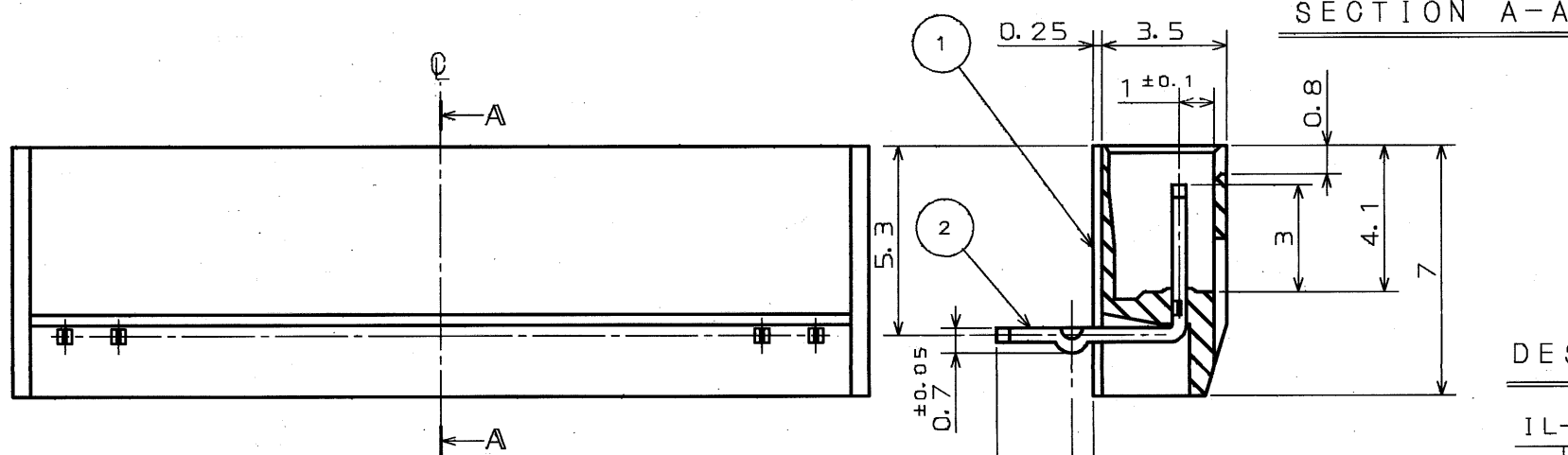


TABLE 1

| No. OF CONTACT | A ^{+0.3} / ₀ | B ^{+0.3} / ₀ | C | D |
|----------------|----------------------------------|----------------------------------|------|------|
| 2 | 4.45 | 3.55 | 1.5 | 1.38 |
| 3 | 5.95 | 5.05 | 3.0 | 2.13 |
| 4 | 7.45 | 6.55 | 4.5 | ↑ |
| 5 | 8.95 | 8.05 | 6.0 | |
| 6 | 10.45 | 9.55 | 7.5 | |
| 7 | 11.95 | 11.05 | 9.0 | |
| 8 | 13.45 | 12.55 | 10.5 | |
| 9 | 14.95 | 14.05 | 12.0 | |
| 10 | 16.45 | 15.55 | 13.5 | |
| 11 | 17.95 | 17.05 | 15.0 | |
| 12 | 19.45 | 18.55 | 16.5 | |
| 13 | 20.95 | 20.05 | 18.0 | |
| 14 | 22.45 | 21.55 | 19.5 | ↓ |
| 15 | 23.95 | 23.05 | 21.0 | 2.13 |



DESIGNATION

IL-Y-**-P-S 15 L 2 - E F - *

NO DESIGNATION: LIGHT BROWN
W: WHITE, B: BLACK
R: RED, G: GREEN
COLOR OF INSULATOR

FORMED TAIL (SEE NOTE 2)

TAIL LENGTH E: 2.7 mm

APPLICABLE P.C.B THICKNESS 2: 0.8-1.6 mm

TAIL FORM L: ANGLE THROUGH HOLE

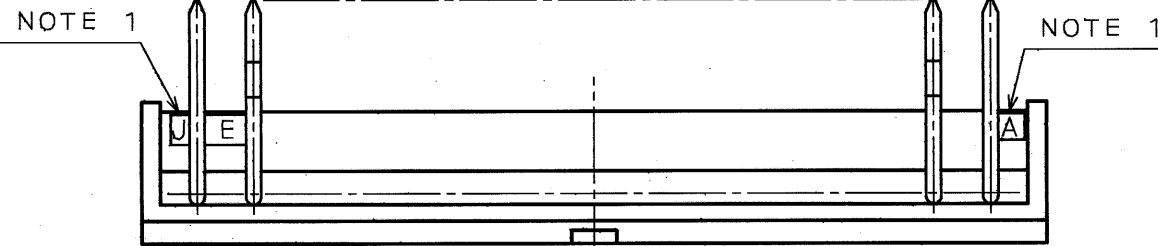
PITCH (1.5 mm)

SERIES PREFIX

NO. OF CONTACT

CONTACT TYPE P: PIN CONTACT

CONTACT ROW S: SINGLE



NOTE 1. COMPANY LOGO AND TOOL MARK APPEAR IN RELIEF.

2. FORMED CONTACT TAILS FOR FIXING PIN HEADER ARE PROVIDED ON POSITIONS OF BLACK DOTS AS SHOWN IN THE FIGURE 1. APPLICABLE P.C.B HOLE DIAMETER IS 0.7 ± 0.03 mm.

DIMENSIONS ARE IN MILLIMETERS
TOLERANCES ON: (INCHES)

| DIMENSION | ANGLES |
|-----------|---------------|
| . ± 0.8 | X° ± |
| .X ± 0.4 | X°X' ± |
| .XX ± 0.2 | CONCENTRICITY |
| .XXX ± | WITHIN T.L.R. |

| ITEM | DESCRIPTION | Q'TY | MATERIAL | FINISH | REMARKS |
|--------------------|-------------|--------------------|--------------------------|-----------------|--|
| 2 | CONTACT | TABLE 1 | BRASS | TIN OVER NICKEL | |
| 1 | INSULATOR | 1 | 6-6NY | | UL 94V-0 |
| REFERENCE DOCUMENT | | DATE | SCALE | | <p>JAE CONNECTOR.COM Reference Only</p> <p>JAPAN AVIATION ELECTRONICS INDUSTRY, LTD. MUSASHINO, AKISHIMA-SHI TOKYO, JAPAN</p> <p>DWG. NO. SJ019165-E</p> |
| | | 15. DEC ' 88 | 5/1 | | |
| | | DRAWN | TITLE | | |
| | | CHECKED K. IBARAKI | IL-Y-**-P-S 15 L 2 - E F | | |
| | | APP'D | SERIES | | |
| | | APP'D | IL-Y | | |